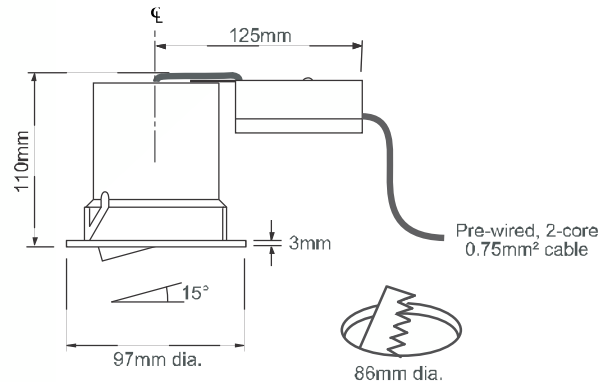


ECOseal
Sealed Tilt Recessed L.E.D. Downlight

Features

- Energy saving
- Full intensity from switch on
- 'Warm white' or 'cool white' colours
- Wide, medium or narrow beam lenses
- Wide range of finishes
- Low operating temperature
- Long life >50,000 hrs.
- Integral driver with S.E.L.V. output
- Safe, ClassIII, luminaire
- Building regulation compliant

Electrical Specification

LED DRIVER	
Type	Constant current
Input voltage	230/240Vac 50/60Hz
Input current	0.08A
Power factor	λ 0.5
Electrical Safety	
Class	Class II
Output Isolation	S.E.L.V.
LUMINAIRE	
Electrical Safety	ClassIII
L.E.D.'s	
Warm White	2875 - 3200 K (40.5 Lm/W)
Cool White	5000 - 6500 K (55.8 Lm/W)
OPTICS	
Narrow	10°
Medium	20°
Wide	50°

Photometry

Photometric data available on request

Mechanical Specification

Dimensions	Total Height 110mm Bezel Dia. 97mm
Hole cut-out	86mm Dia.
Tilt angle	15°
Materials:	
Rear casing	Anodised steel
Front bezel	Die-cast aluminium with powder coat or electro-plated finish
Driver casing	Flame retardant polycarbonate
Mounting surface	F mark - Suitable for mounting on normally flammable surfaces
Mounting surface thickness	10mm Min. - 25mm Max.
Weight	570g

Compliance

Part - B Building reg. 2000 Fire resistance: BS476 pt.21 60min.
Part - C Building reg. 2000 Air tightness: BS5250
Part - E Building reg. 2000 Acoustics: BS EN ISO 140-3 & -6 BS5450 Robust Details App.F
Part - L Building reg. 2000 Energy efficiency: >40Lm/W
Part - P Building reg. 2000 Safety: BS EN 60598 and BS EN 61347
EMC BS EN 61547, BS EN 55015 & BS EN 61000-3-2

Product Codes

Part Nos.	Description
1131.x3	Sealed Tilt Recessed Downlight with 'Warm White' L.E.D.'s and Narrow Beam Lens
1131.x6	Sealed Tilt Recessed Downlight with 'Cool White' L.E.D.'s and Narrow Beam Lens
1132.x3	Sealed Tilt Recessed Downlight with 'Warm White' L.E.D.'s and Medium Beam Lens
1132.x6	Sealed Tilt Recessed Downlight with 'Cool White' L.E.D.'s and Medium Beam Lens
1135.x3	Sealed Tilt Recessed Downlight with 'Warm White' L.E.D.'s and Wide Beam Lens
1135.x6	Sealed Tilt Recessed Downlight with 'Cool White' L.E.D.'s and Wide Beam Lens